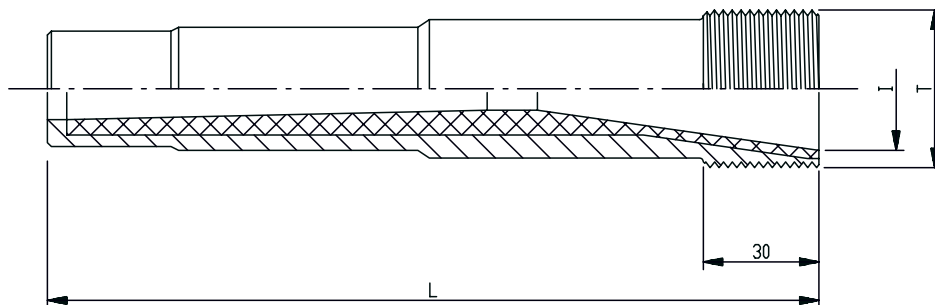




JUMBO PIPE BLASTER

ART.NR.	MODEL	DESCRIPTION
		JUMBO PIPE BLASTER FOR PIPES 35" TO 63" (890 - 1600 mm) I.D.
34000	JPB - I	JUMBO PIPE BLASTER, COMPLETE (excl. nozzles)
34100	JPB - C	JUMBO PIPE BLASTER SPARE PARTS KIT: containing * marked parts below in quantities shown ()
1) 34001	JPB - 1	Nozzle head
2) 34002	JPB - 2	Pipe plug
3) 34003	JPB - 3	Bolt M10 x 30
4) 34004	JPB - 4	Washer
5) 34005	JPB - 5	Gasket
6) 34006	JPB - 6	Bolt M6 x 10
7) 34007	JPB - 7	Adaptor seal
8) 34008	JPB - 8	* Bearing seal (2)
9) 34009	JPB - 9	Housing
10) 34010	JPB - 10	* Lock ring (1)
11) 34011	JPB - 11	* Bearing (2)
12) 34012	JPB - 12	Distance ring
13) 34013	JPB - 13	* Bearing seal (1)
14) 34014	JPB - 14	Rear end plate
15) 34015	JPB - 15	Washer M6
16) 34016	JPB - 16	Bolt M6 x 30
17) 34017	JPB - 17	Bearing housing
18) 34018	JPB - 18	* Bushing (1)
19) 34019	JPB - 19	Tube
20) 34020	JPB - 20	* Hose (1)
21) 34021	JPB - 21	Washer M8
22) 34022	JPB - 22	Bolt M8 x 20
23) 34023	JPB - 23	* Screw (1)
24) 34024	JPB - 24	Carriage collar
25) 34025	JPB - 25	Bolt M10 x 25
26) 34026	JPB - 26	Centering leg
27) 34027	JPB - 27	Clamp
28) 34028	JPB - 28	Washer M8
29) 34029	JPB - 29	Bolt M8 x 20
30) 34030	JPB - 30	Wheel
31) 34031	JPB - 31	Guide bushing
32) 34032	JPB - 32	Washer M10
33) 34033	JPB - 33	Bolt M10
34) 34034	JPB - 34	Bolt M10 x 65
35) 34035	JPB - 35	Centering carriage, complete
		Nozzles with fine thread T = 41 mm [1¼" 11½ TPI NPSM]
20070	ATSDX - 4	Nozzle TC – 6,5 mm orifice, 135 mm long (2)
20080	ATSDX - 5	Nozzle TC – 8,0 mm orifice, 145 mm long (2)
20090	ATSDX - 6	Nozzle TC – 9,5 mm orifice, 170 mm long (2)





JUMBO PIPE BLASTER

